



RETRACTABLE AWNINGS

For Technical Support visit us at www.sunsetter.com/ownerscorner
or Call Toll Free 800-670-7071 • Fax 877-224-4944

Motorized Awning

RTS Motor Cord Replacement Instructions

*** Helpers needed ***

Tools needed: $\frac{7}{16}$ " wrench, $\frac{3}{16}$ " Allen Wrench, Small Phillips Screwdriver

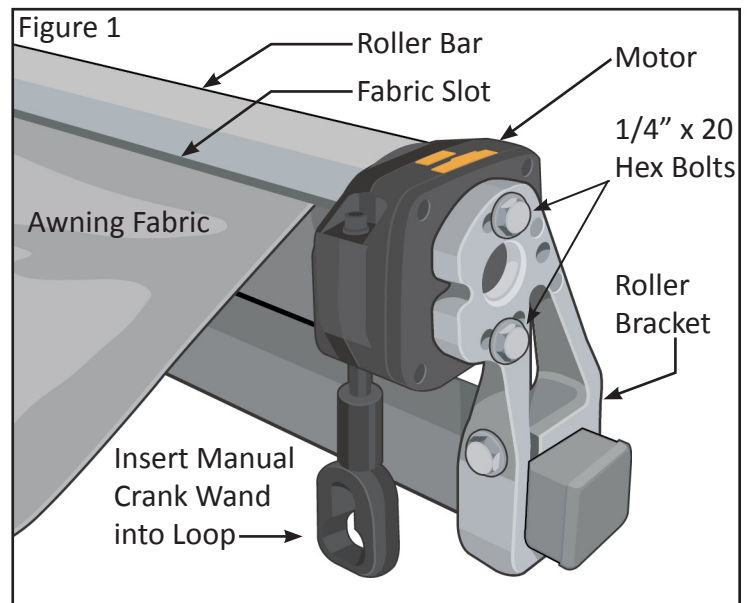
WARNING: FAILURE TO FOLLOW THESE INSTRUCTIONS CAN RESULT IN PERSONAL INJURY!! PLEASE READ THESE INSTRUCTIONS IN ITS ENTIRETY BEFORE ATTEMPTING TO COMPLETE THIS PROCESS.

PLEASE NOTE THAT LEFT AND RIGHT REFERENCES ARE AS YOU ARE FACING THE HOUSE.

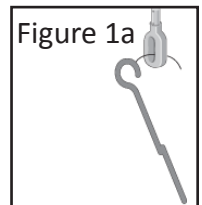
1. Open the awning to the fully extended position.
2. Unplug the power cord from the wall outlet.

Note: For Awnings that have a SunSetter Aluminum Hood installed, on the same side as the Motor, remove the Hood End Plate.

3. Using the Manual Crank Wand (see Figure 1a), continue to unroll the Fabric until you expose the Fabric Slot in the Roller Bar and create maximum slack in the Fabric. See Figure 1.
4. While your helper supports the end of the Roller Bar on the Motor side, remove the two $\frac{1}{4}$ -20 hex bolts and washers that connect the Motor to the Roller Bracket. **Note the threaded holes on the Motor Plate and the holes in the Roller Bracket that the bolts are removed from. See Figure 1.**



5. While a helper supports the Roller Bar near the Motor, slide the Motor Assembly out of the Roller Bar about one foot. **Note: Do not slide the Motor all the way out of the Roller Bar. See Figure 2.**



6. Remove the two $\frac{3}{16}$ " Allen Cap Bolts that secure the Square Black Plate to the end of the Motor. **Note the orientation of the word "SOMFY" on this plate.** This is lined up with the Plastic Protective Cap on the Motor and the word is facing away from the Motor. See Figure 3 on the next page.
7. Remove the four (4) small Phillips Head Screws that secure the Motor Cord Plug to the Motor and save for reuse in Step 9. See Figure 3 on the next page.
8. Unplug the old Cord from the Motor.

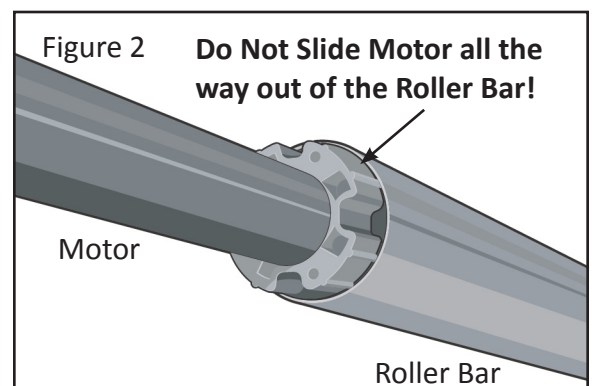
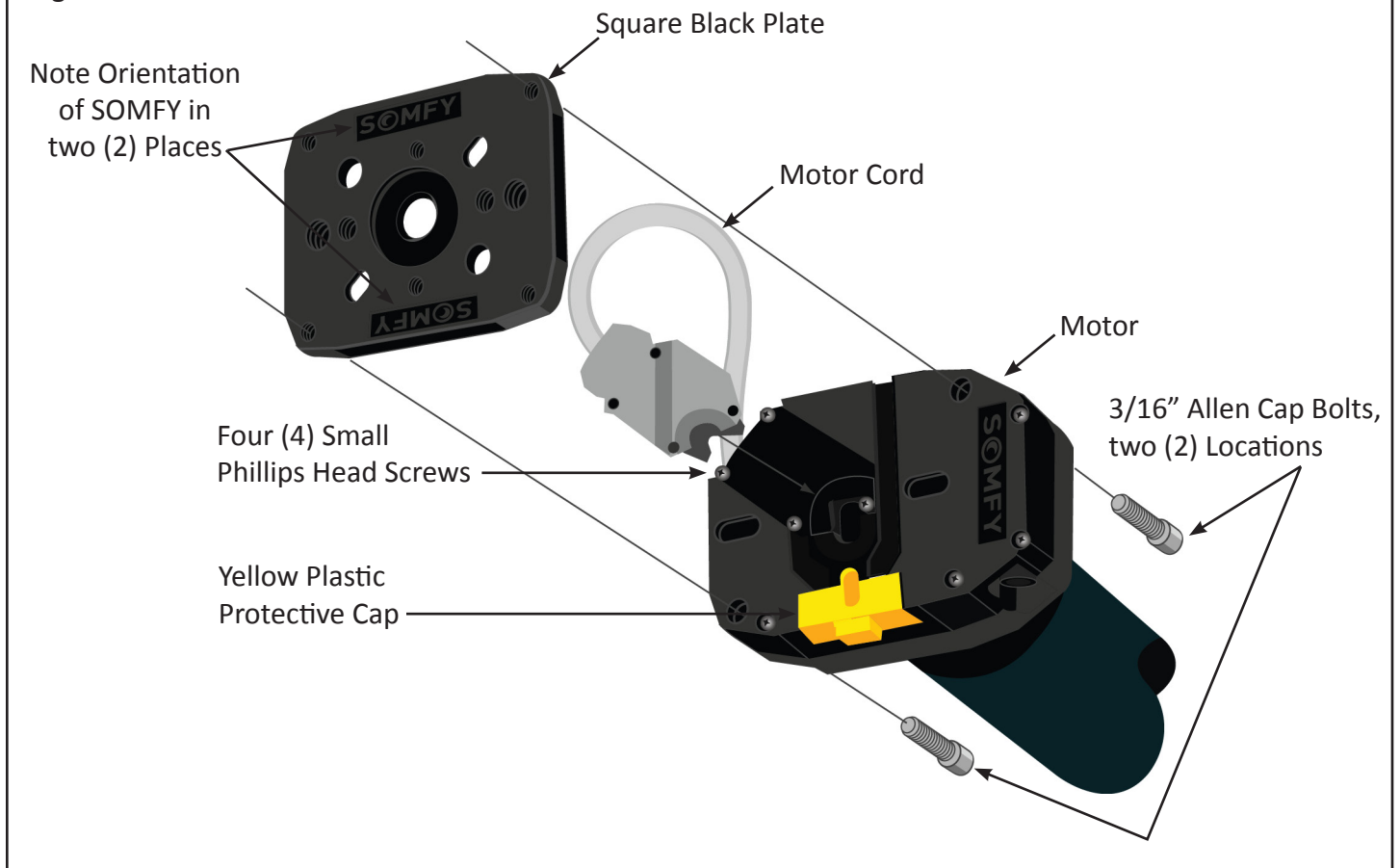


Figure 3



9. Plug the new Cord into the Motor and secure with 4 small Phillips Head Screws.
10. Reattach the Square Black Plate to the Motor using the references in Step 6 with two $\frac{3}{16}$ " Allen Cap Bolts.
11. Slide the Motor back into the Roller Bar.
12. Attach the Motor to the Roller Bracket with the two $\frac{1}{4}$ -20 Hex Bolts and Washers (See Figure 1). Be very careful not to cross-thread the Hex Bolts, start the Bolts by hand and finish tightening with the $\frac{7}{16}$ " wrench. If the Motor is on the right side, the Black Plastic Protective Cover should be facing up, away from the ground. If the Motor is on the left, the Yellow Plastic Protective Cover should be facing toward the ground. **Note: Black Plastic Cover is only used with Motors installed on the right hand side of the Awning.**
13. While keeping the Fabric reasonably stretched on the Roller Bar, use the Manual Crank Wand to slowly roll the Fabric onto the Roller Bar, until the Awning is approximately half-way closed.
14. Reinstall the Hood End Plate if removed.
15. Plug the Power Cord back into the wall outlet.
16. Test the Awning for proper operation.
17. If Needed: Reset the Motor stops using the attached instruction sheet.

APPENDIX B

RESETTING THE LIMIT PUSH BUTTONS OF THE SUNSETTER MOTOR

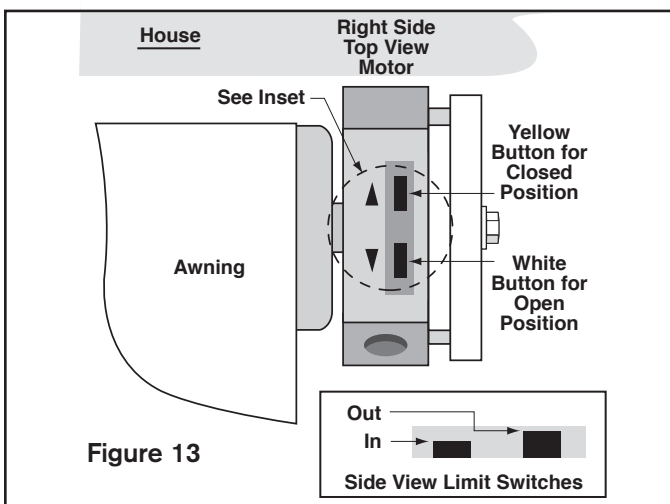
Awnings with Motors installed on the Right as you face the house

Note: Visual Guide available on Installation DVD and on the Owner's Corner.

1. If the motor on your SunSetter Awning is mounted on the right, as you face the house, complete Steps 1 thru 13. If motor on your SunSetter Awning is mounted on the left, as you face the house, complete Steps 14 thru 24 on page 18.

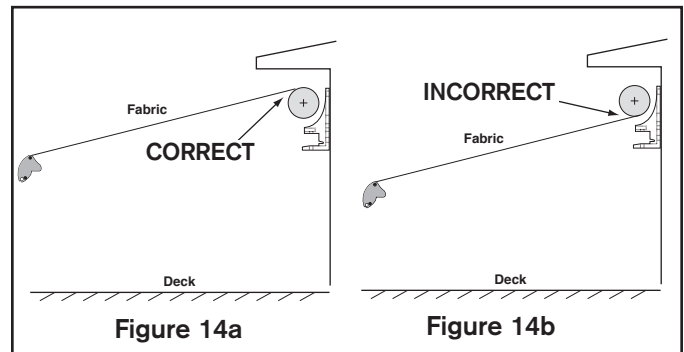
Note: If your awning has a Hood installed, you may need to remove the right end plate from the Hood to gain access to the motor push buttons.

2. Press the Neutral/Stop button on the remote.
3. Unplug the power cord from the electrical outlet on the wall.
4. From a stepladder locate the limit push buttons on the motor. These push buttons will be on top of the motor housing under a black plastic protective cap – see Fig 13.
5. Grasp the black protective cap and lift it up. You will notice one yellow button and one white button inside a recessed area. These are the limit push buttons for the **OPEN** and **CLOSE** positions for the motorized awning.
6. Clear the Factory Settings by separately pressing both buttons (white and yellow) until they are both 'IN' or at their lowest point inside the recessed area of the motor housing –see figure 13. You should practice this a few times to understand this process.



7. Manually crank the awning open to the point where both lateral arms 'lock' into the fully extended position. The fabric will also be at its tightest point.

NOTE: The fabric should be rolling over the top of the roller bar (figure 14a), not underneath (figure 14b). If the fabric is rolling from the bottom of the roller bar, continue unrolling the fabric until it rolls over the top of the roller bar. Then roll up the fabric until both lateral arms 'lock' and the fabric becomes tight.



8. Depress the white button so that it is in the 'OUT' position (or closer to the top of the recessed area on the motor housing). Now the **OPEN** position stop is set.

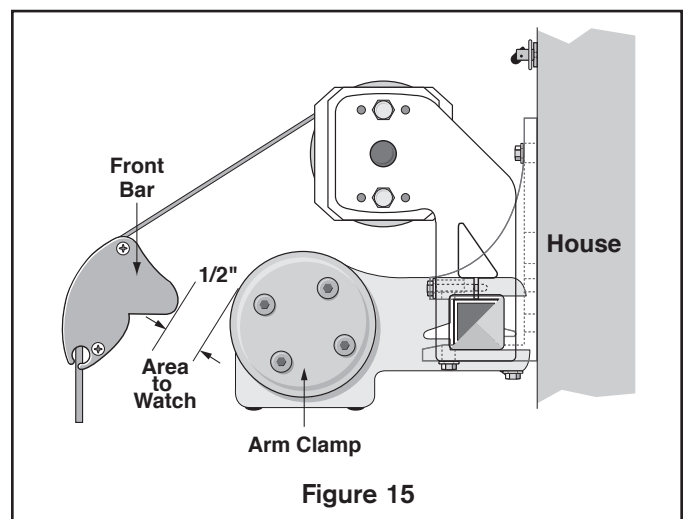
9. Manually roll the awning up until it is almost completely closed. The area to watch is where the front bar almost touches the round side of the arm clamp – see figure 15. Leave about 1/2" gap between the front bar and the round side of the arm clamp.

10. Depress the yellow button so that it is in the 'OUT' position (or closer to the top of the recessed area on the motor housing). Now the **CLOSE** position stop is set.

11. Replace the black protective cap on the motor housing. Be careful that the cap will not accidentally depress one of the limit push buttons underneath.

12. Plug the power cord back into the electrical outlet on the wall.

13. Test the awning for proper operation. Reinstall Hood end plate if removed.



Awnings with Motors installed on the Left as you face the house

14. Press the Neutral/Stop button on the remote.

15. Unplug the power cord from the electrical outlet on the wall.

Note: Black protective cap for use with Right Motor Installations Only.

16. From a stepladder locate the limit push buttons on the motor. These push buttons will be on the underside of the motor housing.
– see Figure 16.

17. You will notice one yellow button and one white button inside a recessed area. These are the limit push buttons for the **OPEN** and **CLOSE** positions for the motorized awning.

18. Clear the Factory Settings by separately pressing both buttons (white and yellow) until they are both 'IN' or at their lowest point inside the recessed area of the motor housing –see figure 16. You should practice this a few times to understand this process.

19. Manually crank the awning open to the point where both lateral arms 'lock' into the fully extended position. The fabric will also be at its tightest point.

NOTE: The fabric should be rolling over the top of the roller bar (figure 14a), not underneath (figure 14b). If the fabric is rolling from the bottom of the roller bar, continue unrolling the fabric until it rolls over the top of the roller bar. Then roll up the fabric until both lateral arms 'lock' and the fabric becomes tight.

20. Depress the yellow button so that it is in the 'OUT' position (or closer to the top of the recessed area on the motor housing). Now the **OPEN** position stop is set.

21. Manually roll the awning up until it is almost completely closed. The area to watch is where the front bar almost touches the round side of the arm clamp – see figure 17. Leave about 1/2" gap between the front bar and the round side of the arm clamp.

22. Depress the white button so that it is in the 'OUT' position (or closer to the top of the recessed area on the motor housing). Now the **CLOSE** position stop is set.

23. Plug the power cord back into the electrical outlet on the wall.

24. Test the awning for proper operation.

